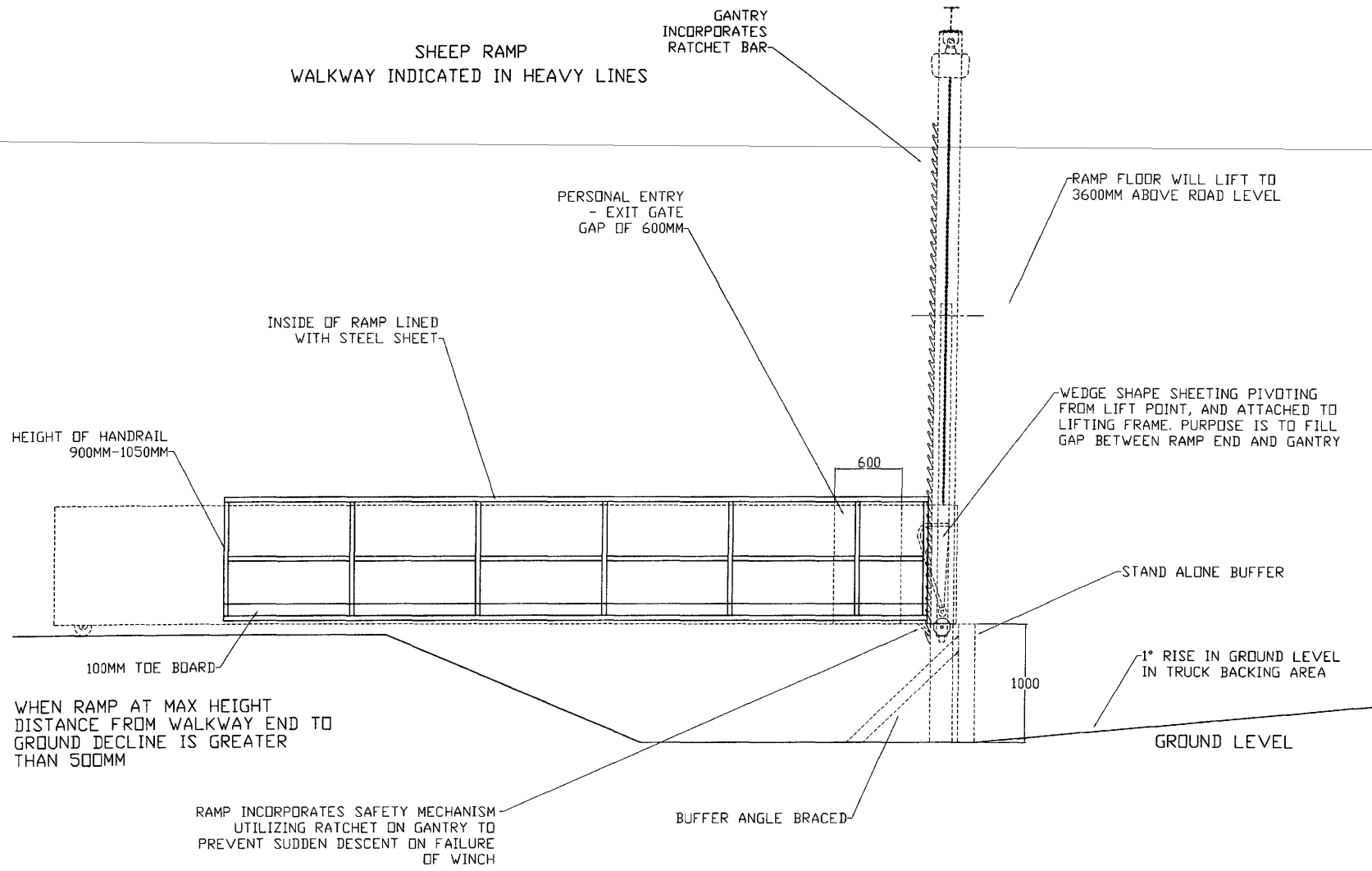
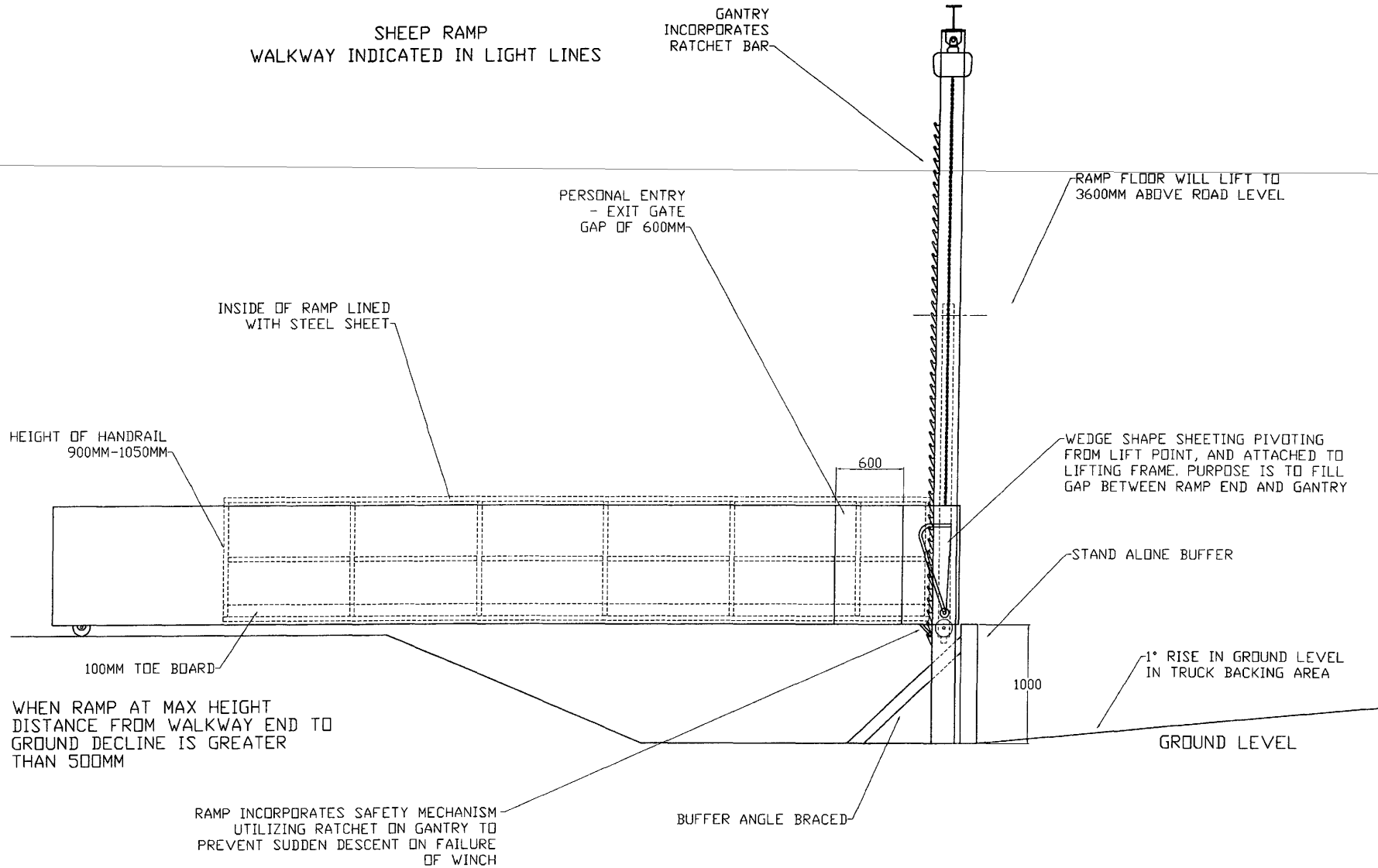
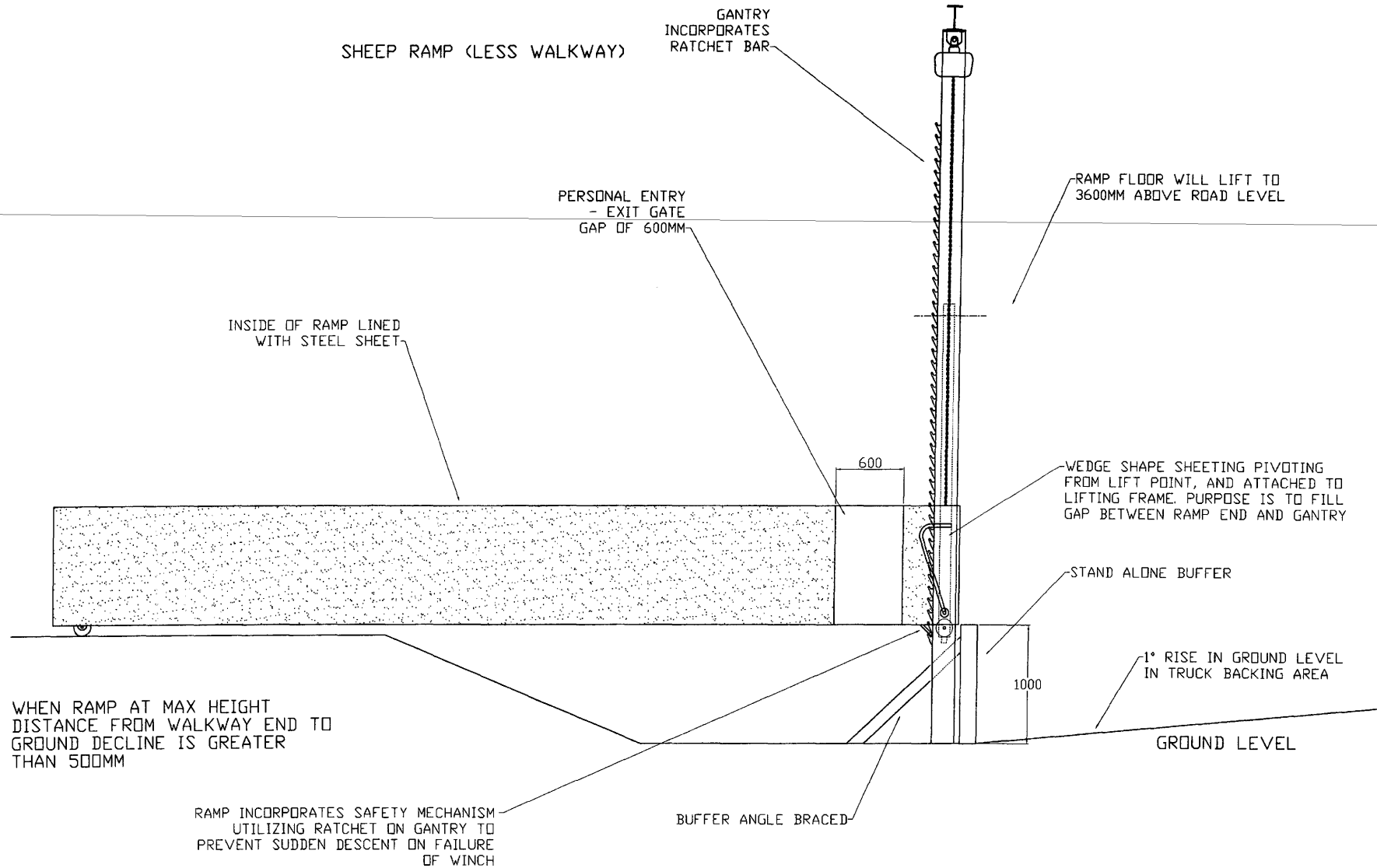
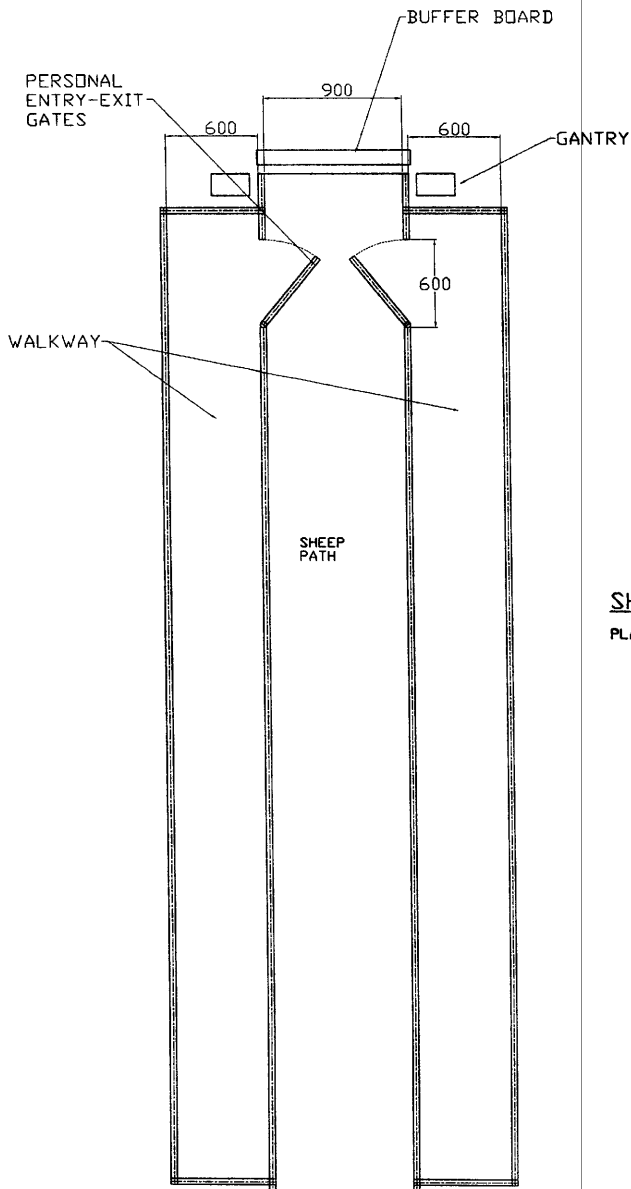


**Final Concept Plans for the Preferred Design for
WIND UP LOADING RACE FOR SHEEP**

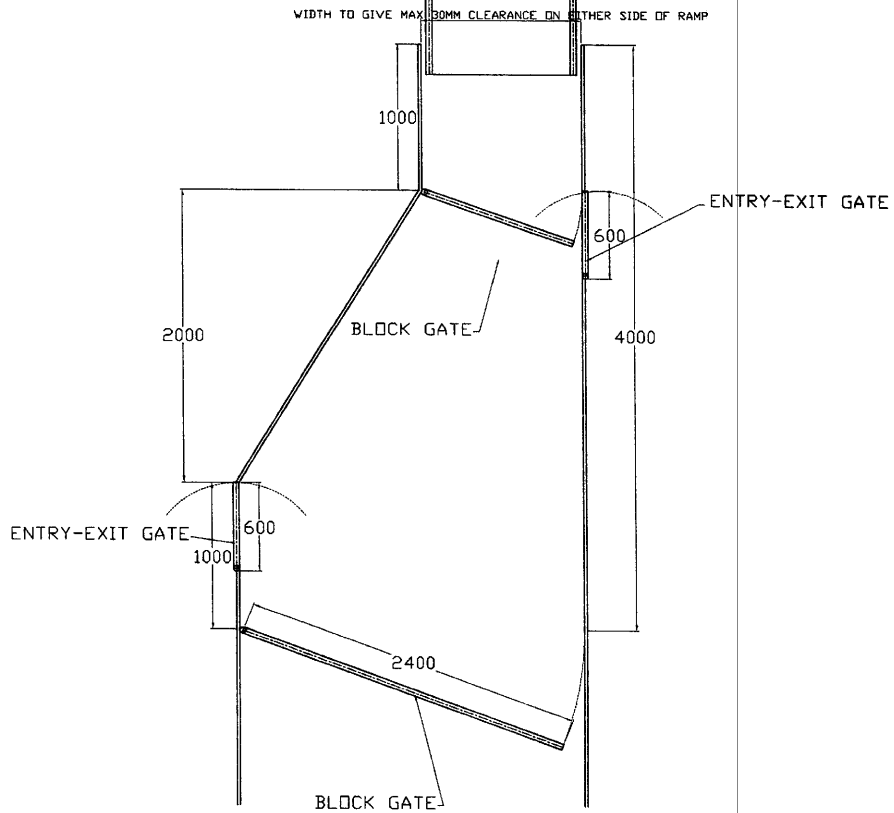


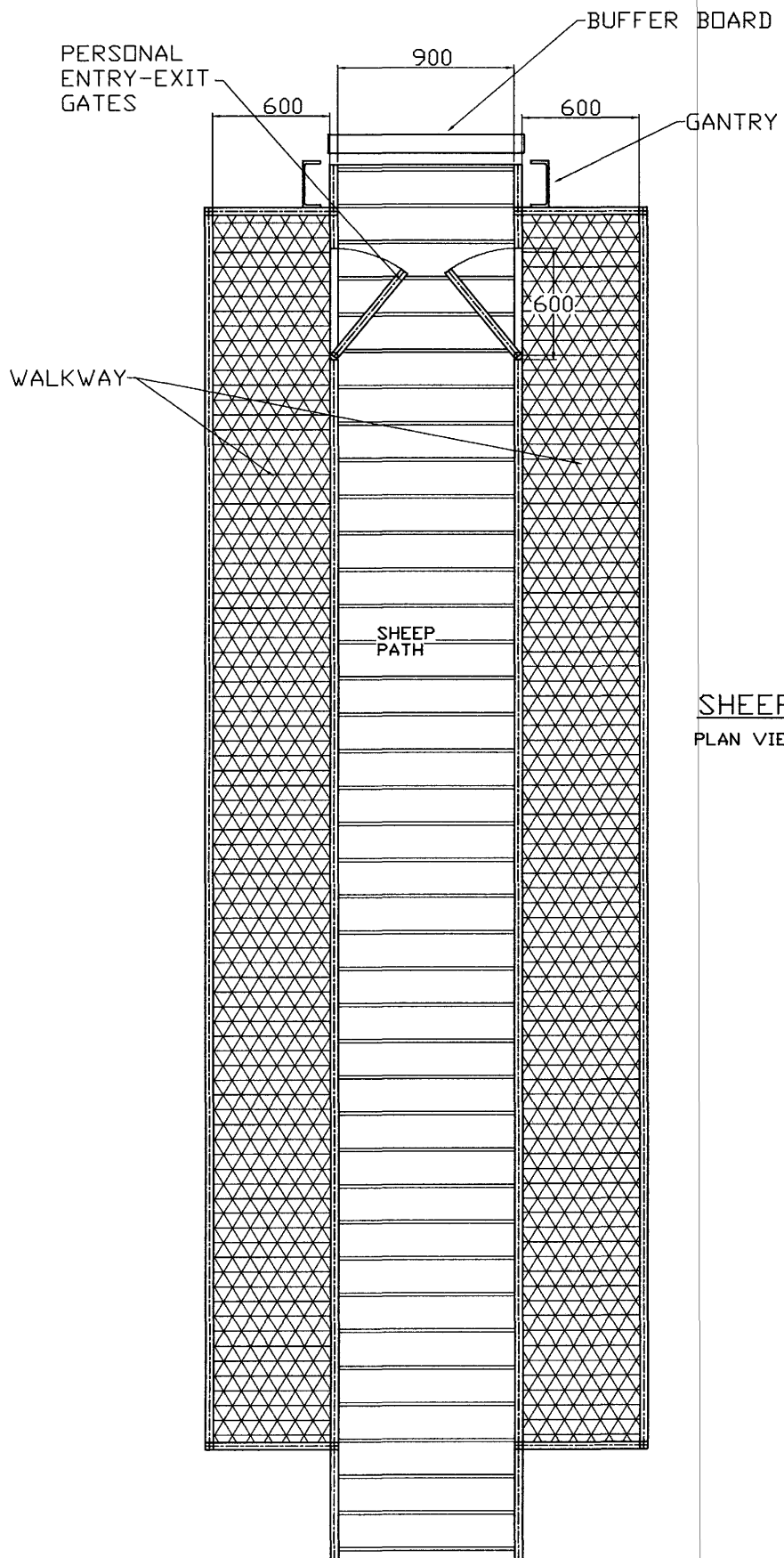




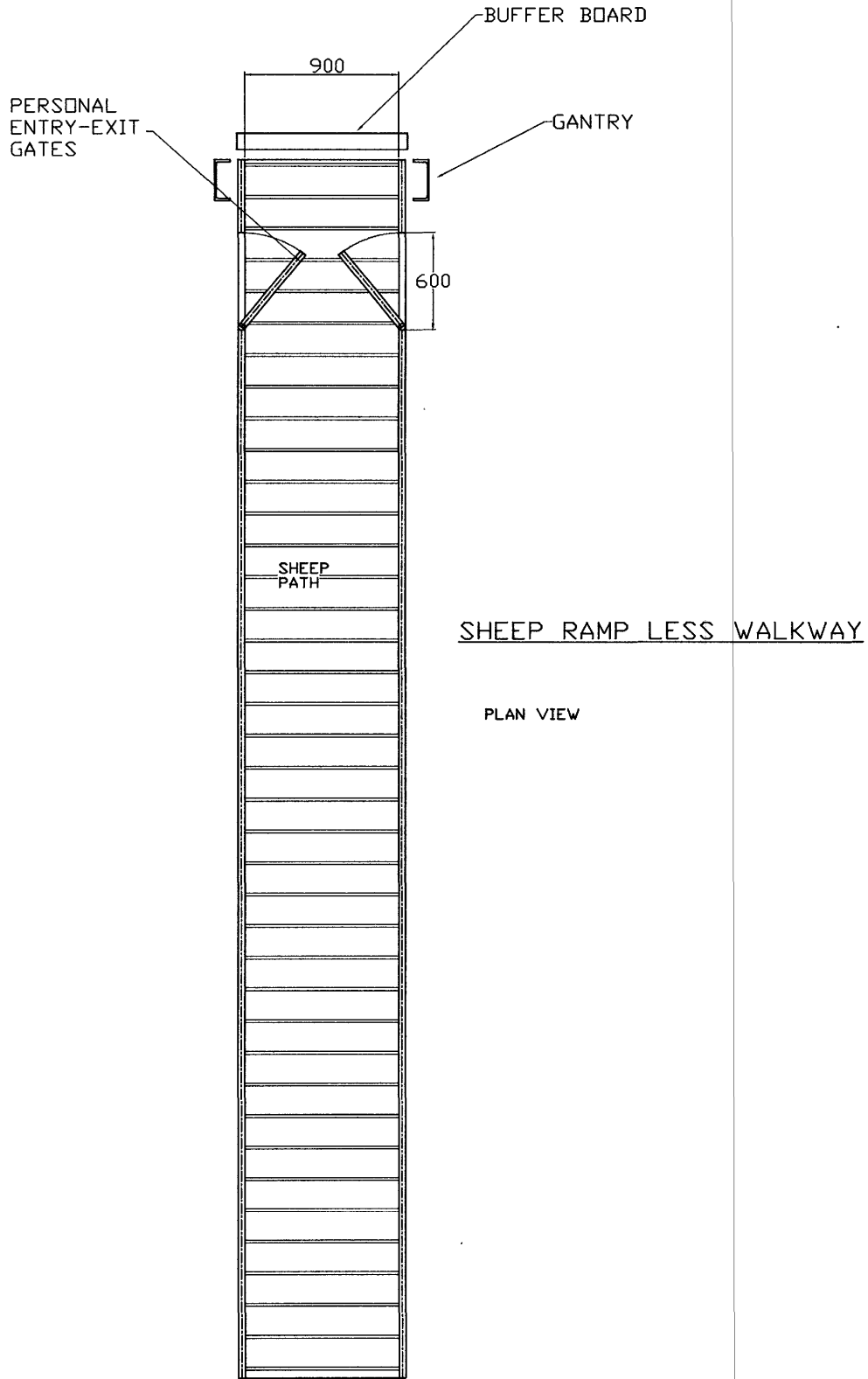


SHEEP RAMP
PLAN VIEW



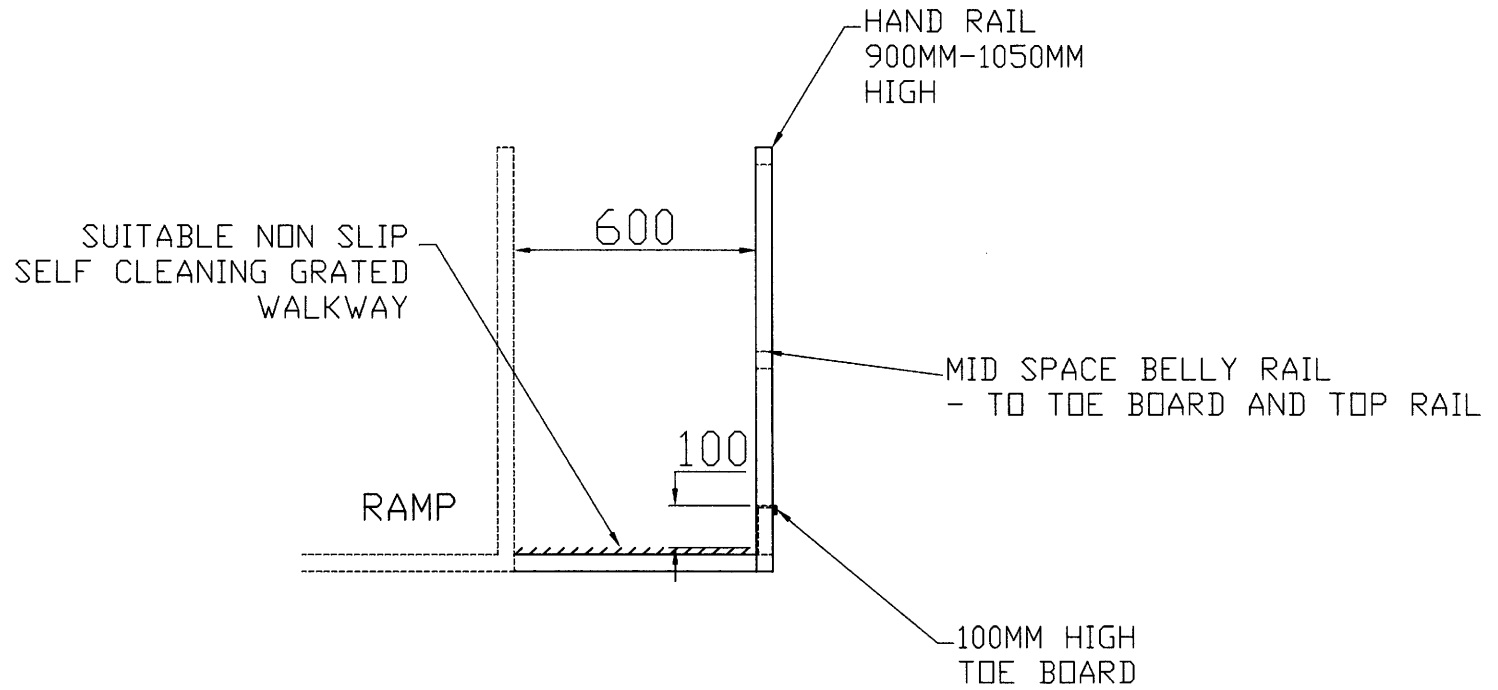


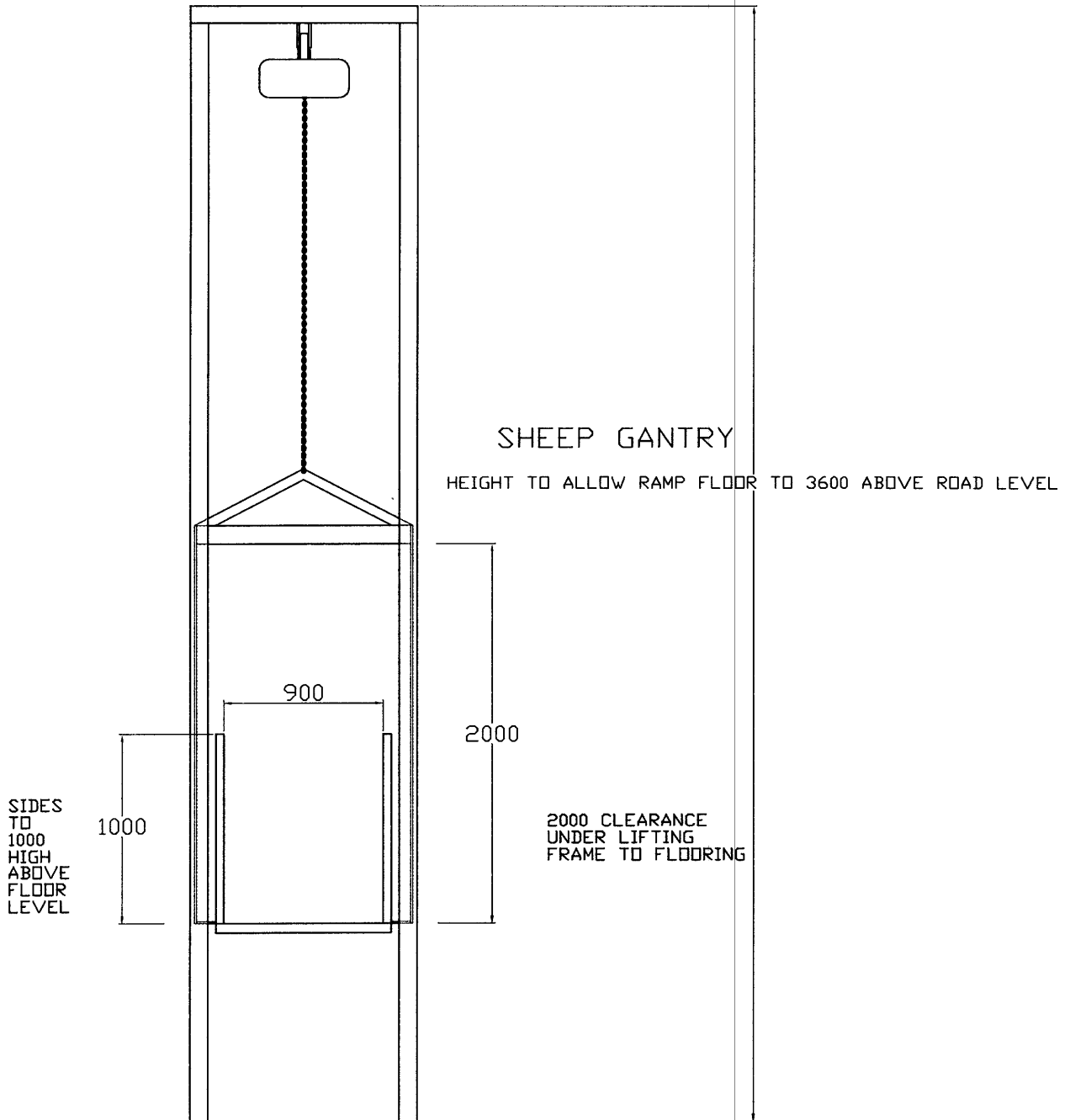
SHEEP RAMP
PLAN VIEW



DETAIL WALKWAY

END ELEVATION



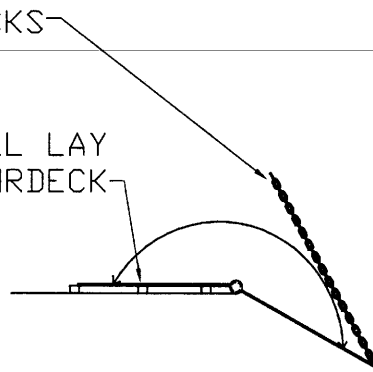


TELESCOPING FLAP DETAIL

CHAIN TO WAIST HEIGHT TO FLIP FLAP OUT FOR TRUCKS

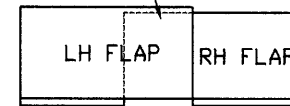
SIDE ELEVATION

FLAP WILL LAY FLAT ON FLOORDECK



PLAN VIEW

OVER LAPPING CHECKER PLATE TELESCOPING FLAP



CHAIN RHS

ADJUSTABLE - FULL RAMP WIDTH TO 600MM

TRUCK END ELEVATION

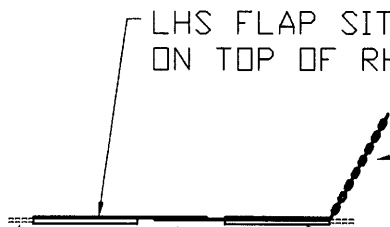
LHS FLAP SITS ON TOP OF RHS FLAP

CHAIN ON RHS FLAP

HINGE ROD

CHS TO SLEEVE HINGE BAR

MINIMUM OVERLAP 100MM WIDE AT FULL WIDTH



FLOORING DETAIL

SHEEPRAMP FLOORING

- MINIMUM 2.0MM BASE FLOOR THICKNESS AND FULLY GALVANISED

SIDE ELEVATION

