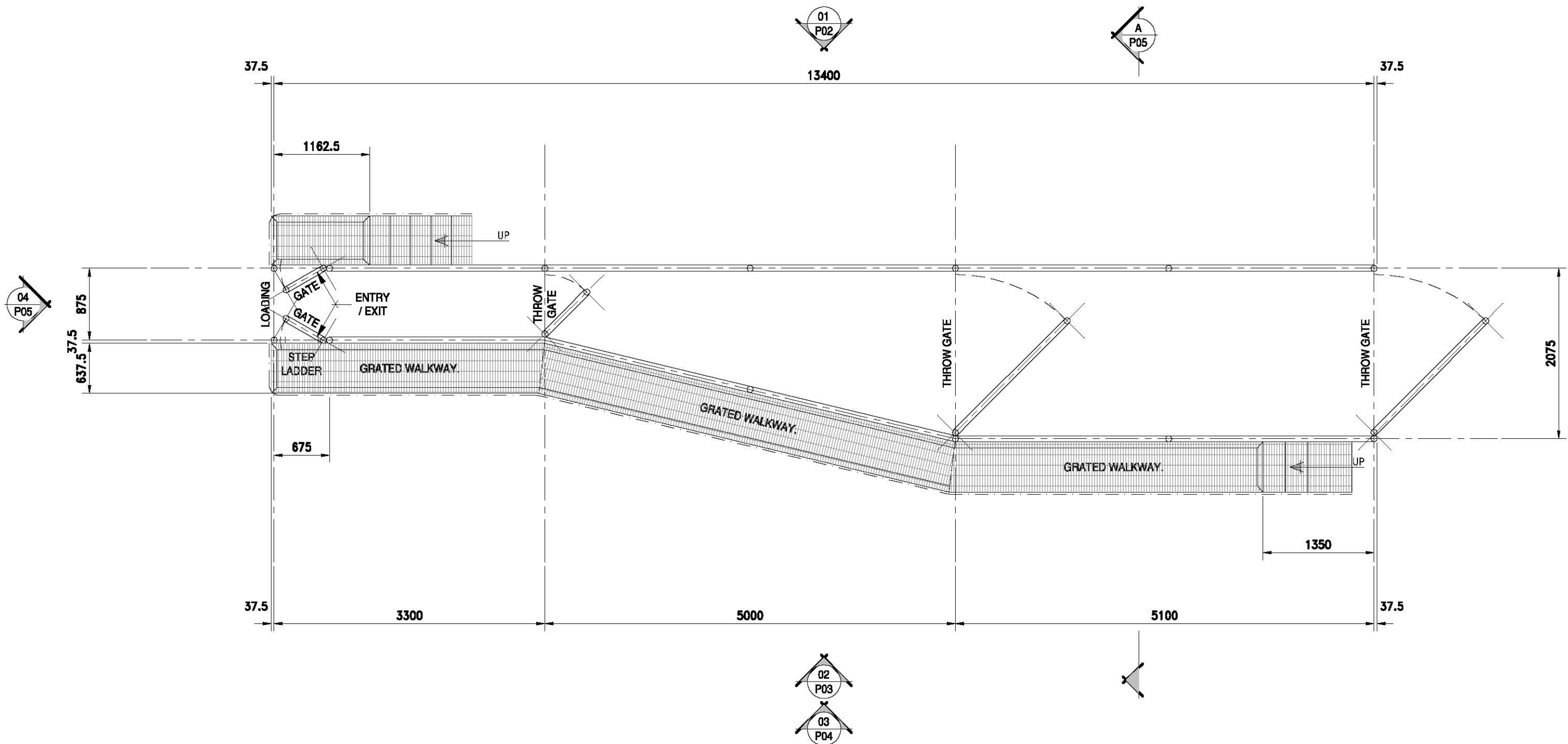
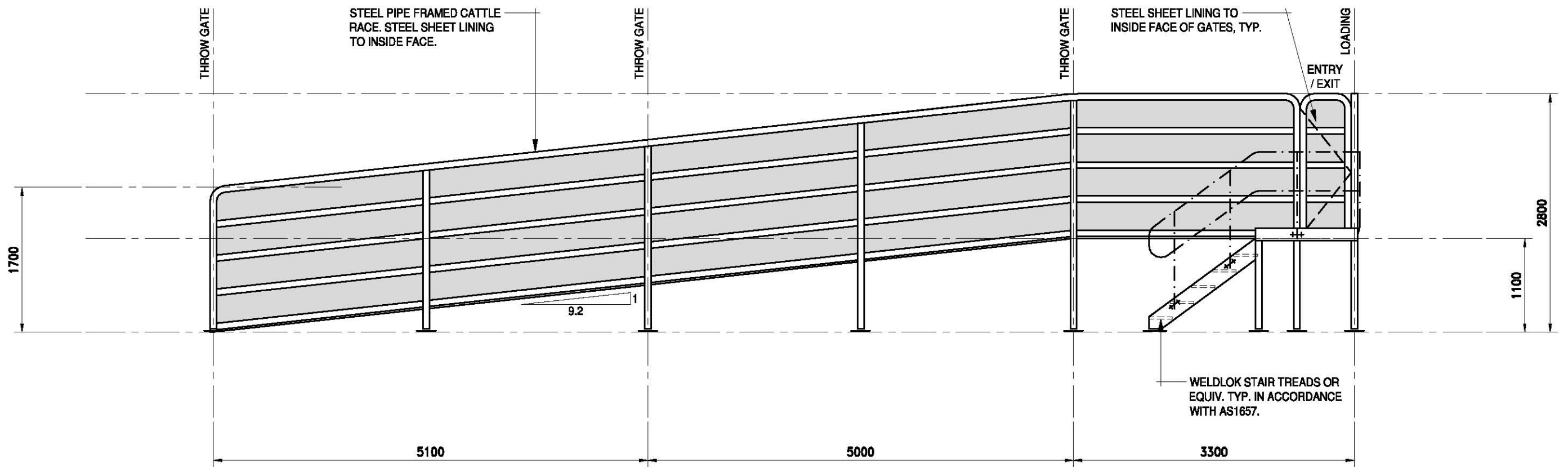


**Final Concept Plans for the Preferred Design for
SINGLE DECK LOADING RACE FOR CATTLE**

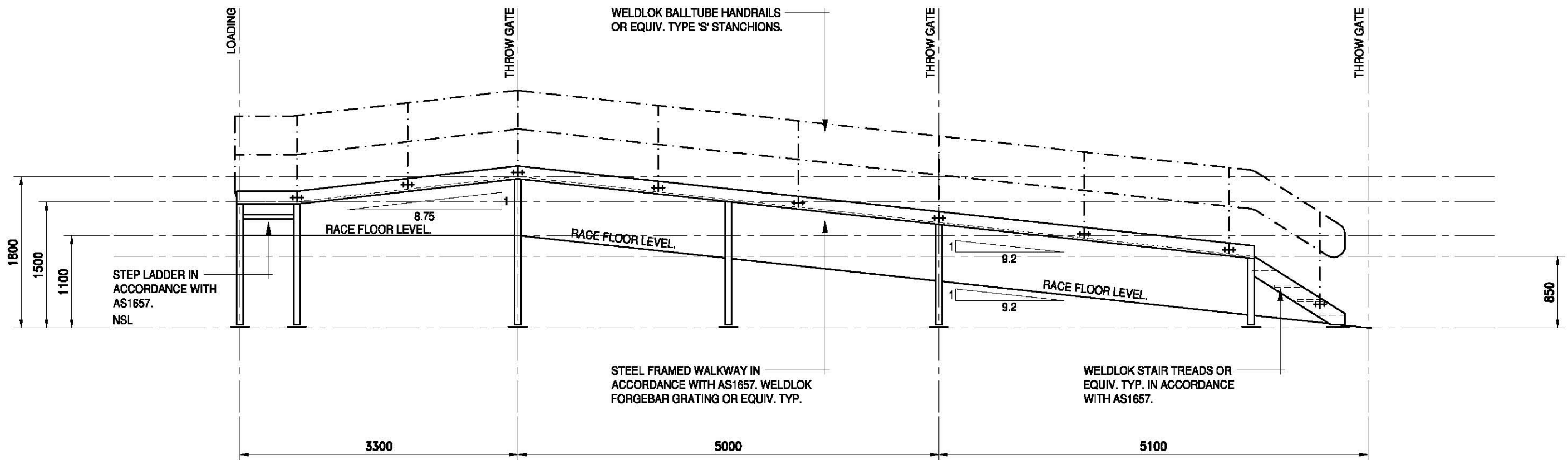


Plan



Elevation

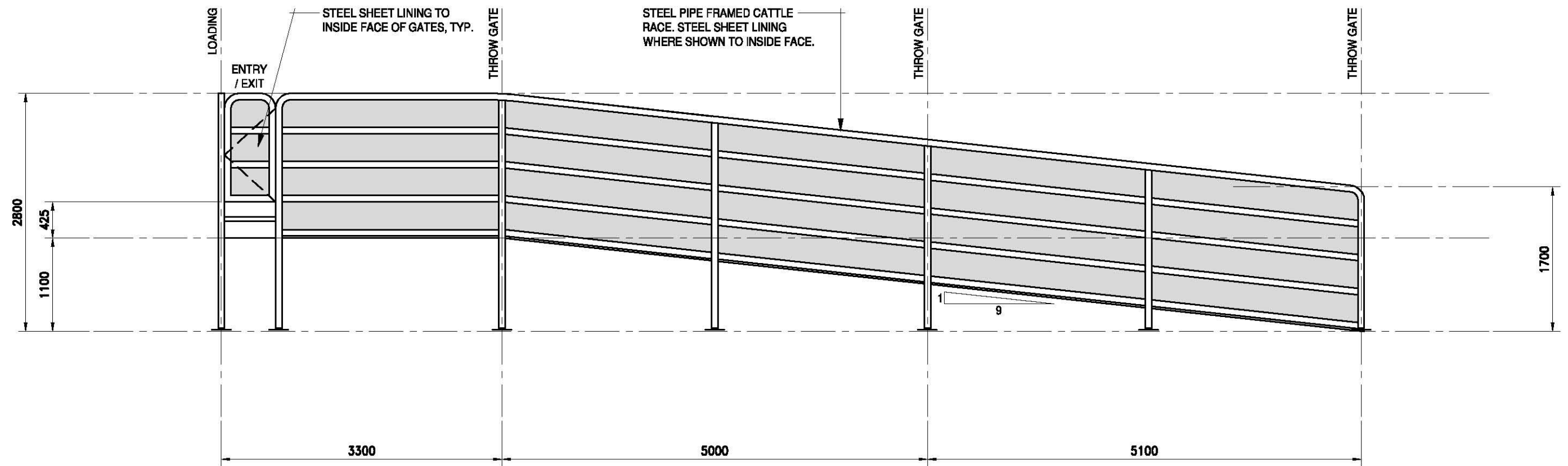
01
P01



NOTE:
 CATTLE RACE FENCE FRAME AND LINING
 OMMITTED FROM VIEW FOR CLARITY.

Elevation

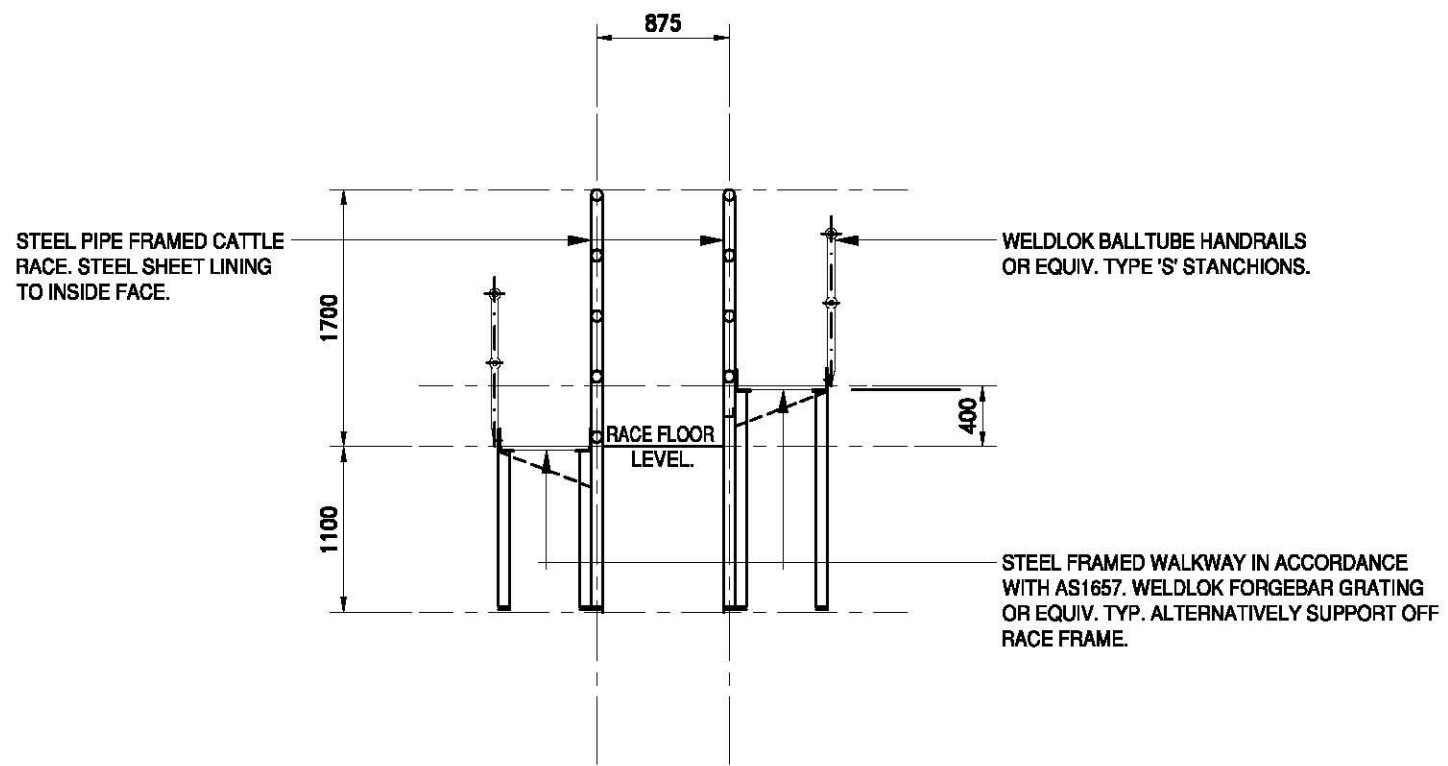
02
 P01



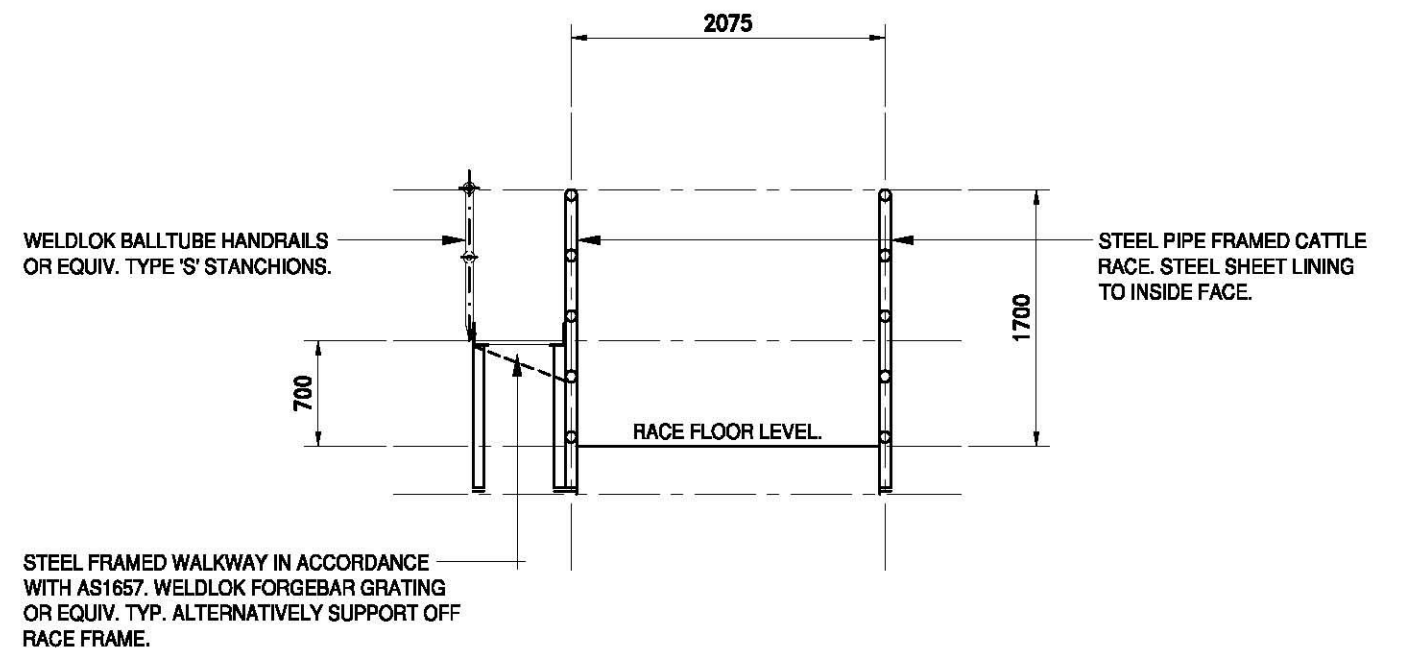
NOTE:
 WALKWAY AND HANDRAIL
 OMMITTED FROM VIEW FOR CLARITY.

Elevation

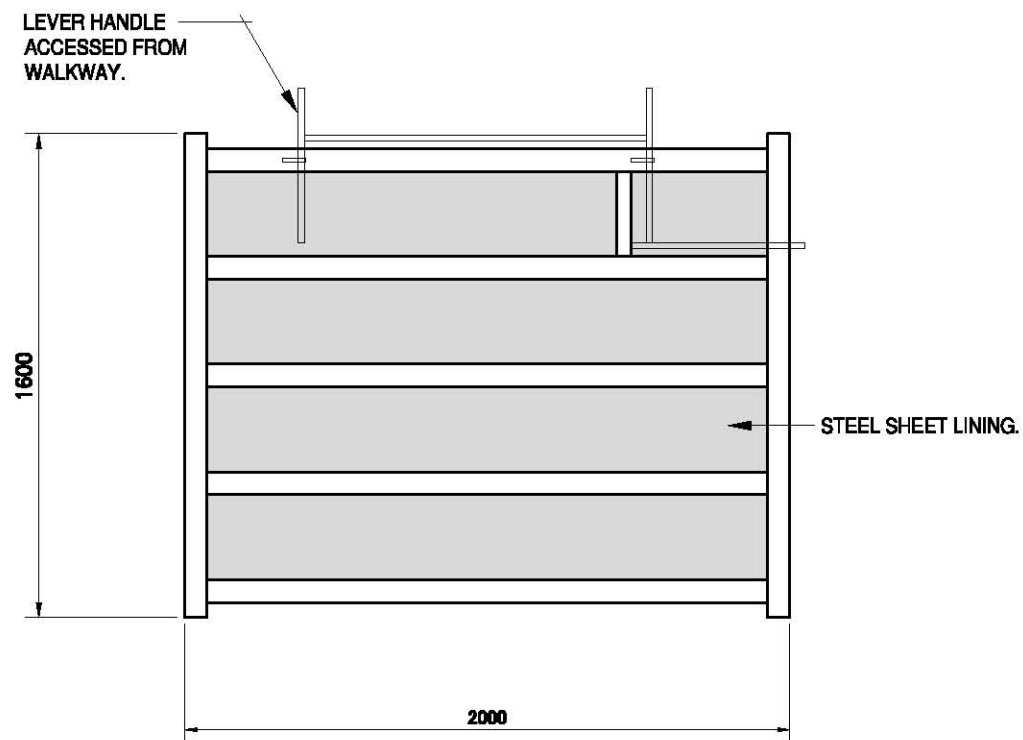
03
P01



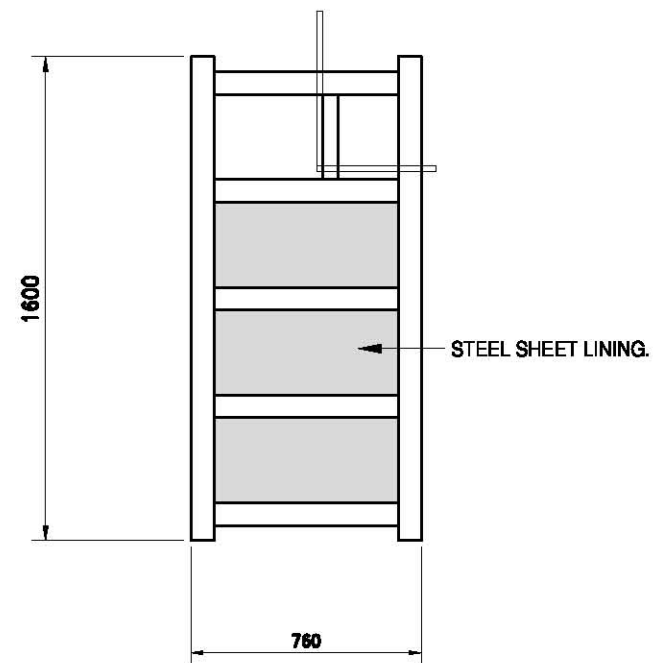
Elevation 04
P01



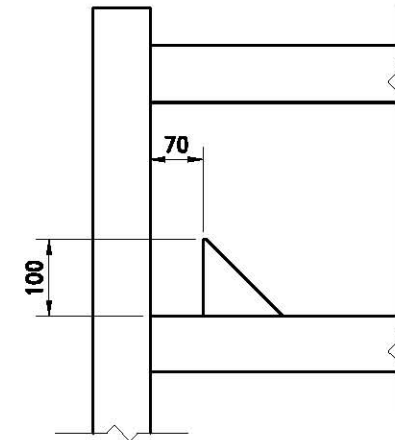
Section A
P01



Race Gate



Throw Gate



Gate Catch